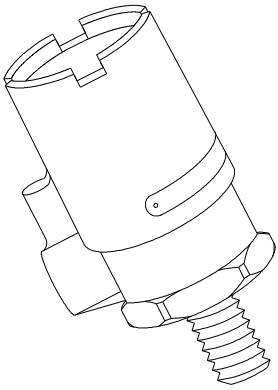


21128, CA21128, BA42608 Velocity Transducer Housings

Product Datasheet

Bently Nevada* Asset Condition Monitoring



Description

Velocity Transducer Housings protect velocity sensors from damage caused by hose-directed water, corrosion, physical abuse, or other adverse environmental conditions.

Constructed of 303 stainless steel, these housings are designed to meet NEMA 4X and IP65 requirements when properly installed.

The 21128 housing is preferred for most non-hazardous environmental conditions. The CA21128 is the explosion-proof version that is CSA certified for use in Classes I, II, and III, Division 1, Groups B, C, D, E, F, and G. It must be ordered and shipped with a CSA approved velocity sensor installed in the assembly. The BA42608 housing is used for BASEEFA-approved installations where compliance with BS EN 60079 14 is necessary. It provides the environmental and physical protection needed to comply with the IP65 rating defined in IEC standard 144.

Each of these housings is now available with a tall cap. The tall cap option is required if the customer wants to install a Velomitor* CT in a housing. The tall cap option is also required if installing either a 9200 or 74712 Seismoprobe with an isolated base into the 21128 housing.



imagination at work

Part Number 141628-01
Rev. F

Page 1 of 6

Specifications

Physical

Outlet Port Size:

1/2-in NPT.

Internal Mounting Thread

21128 and CA21128:

1/2-in 20 UNF.

BA42608:

5/8-in 18 UNF-2B.

Weight:

1.6 kg (3.55 lb) without velocity
sensor or fittings.

Environmental Limits

Temperature rating:

-29°C to +121°C (-20 °F to +250°F)

Moisture:

Resistant to moisture and
corrosion but is not submersible.

O-Ring material:

Neoprene

Ordering Information

For the detailed listing of country and product specific approvals, refer to the **Approvals Quick Reference Guide**, document 108M1756, at www.GEmeasurement.com

Water and Corrosion-Resistant Velocity Transducer Housing

21128-AXX-BXX

Note: Compatible with all Bently Nevada velocity sensors having 1/2-in 20 UNF mounting threads and a top mount connector. If planning to install the Velomitor CT or 9200/74712 sensors with an isolated base, you must order one of the 'tall cap' options.

A: Mounting Thread and Cap Option

- 01** Unthreaded base, 28.5 mm (1.125 in) diameter
- 02** 3/4-in 14 NPT
- 03** 1/2-in 14 NPT
- 04** 1/2-in 14 BSP (G 1/2-in)
- 11** Unthreaded base, 28.5 mm (1.125 in) diameter with tall cap.
- 12** 3/4-in 14 NPT with tall cap.
- 13** 1/2-in 14 NPT with tall cap.
- 14** 1/2-in 14 BSP (G 1/2-in) with tall cap.

B: Cable Exit Fitting Option

- 01** 1/2-in NPT plug
- 02** 1/2-in NPT, explosion-proof fitting
- 03** 1/2-in NPT, explosion-proof and cable grip fittings

Explosion-proof velocity housing including transducer

CA21128-AXX-BXX-CXX-DXX

Note: B00 Transducer Mounting Angle/Minimum Operating Frequency option is applicable to A00 and A01 Transducer Type Options. The others are applicable to the A04 Transducer Type Option.

A: Transducer Type Option

- 00** No Transducer
- 01** Includes 330500 Velomitor® velocity sensor, data sheet 141632-01

- 04** Includes 9200 Seismoprobe velocity sensor, data sheet 141626-01
- 05** Includes 74712 Seismoprobe velocity sensor, datasheet 141626-01

B: Transducer Mounting Angle/Minimum Operating Frequency Option

- 00** No option
- 31** 0 ±2.5, 4.5 Hz (270 cpm)
- 32** 45 ±2.5, 4.5 Hz (270 cpm)
- 33** 90 ±2.5, 4.5 Hz (270 cpm)
- 36** 0 ±100, 10 Hz (600 cpm)
- 39** 0 ±180, 15 Hz (900 cpm)

C: Mounting Thread and Cap Option

- 01** Unthreaded base, 28.5 mm (1.125 in) diameter
- 02** 3/4-in 14 NPT
- 03** 1/2-in 14 NPT
- 04** 1/2-in 14 BSP (G 1/2-in)
- 11** Unthreaded base, 28.5 mm (1.125 in) diameter with tall cap.
- 12** 3/4-in 14 NPT with tall cap.
- 13** 1/2-in 14 NPT with tall cap.
- 14** 1/2-in 14 BSP (G 1/2-in) with tall cap.

D: Cable Exit Fitting Option

- 01** 1/2-in NPT plug
- 02** 1/2-in NPT, explosion-proof fitting
- 03** 1/2-in NPT, explosion-proof and cable grip fittings

IP65 Water and Dust-Resistant Velocity Transducer Housing

BA42608-AXX-BXX

Note: If this housing is used with 9200 or 74712 velocity sensors, the sensors must have ATeX or Multiple approvals and an isolator having 5/8-in 18 UNF-2B male threads and a top mount terminal strip.

A: Mounting Thread and Cap Option

- 01** Unthreaded base, 28.5 mm (1.125 in) diameter
- 02** 3/4-in 14 NPT
- 03** 1/2-in 14 NPT
- 04** 1/2-in 14 BSP (G 1/2-in)
- 11** Unthreaded base, 28.5 mm (1.125 in) diameter with tall cap.

- 12** 3/4-in 14 NPT with tall cap.
- 13** 1/2-in 14 NPT with tall cap.
- 14** 1/2-in 14 BSP (G 1/2-in) with tall cap.

B: Cable Exit Fitting Option

- 01** 1/2-in NPT plug
- 02** 1/2-in NPT, explosion-proof fitting
- 03** 1/2-in NPT, explosion-proof and cable grip fittings

Dimensional Drawings

Dimensions are in millimetres (inches)

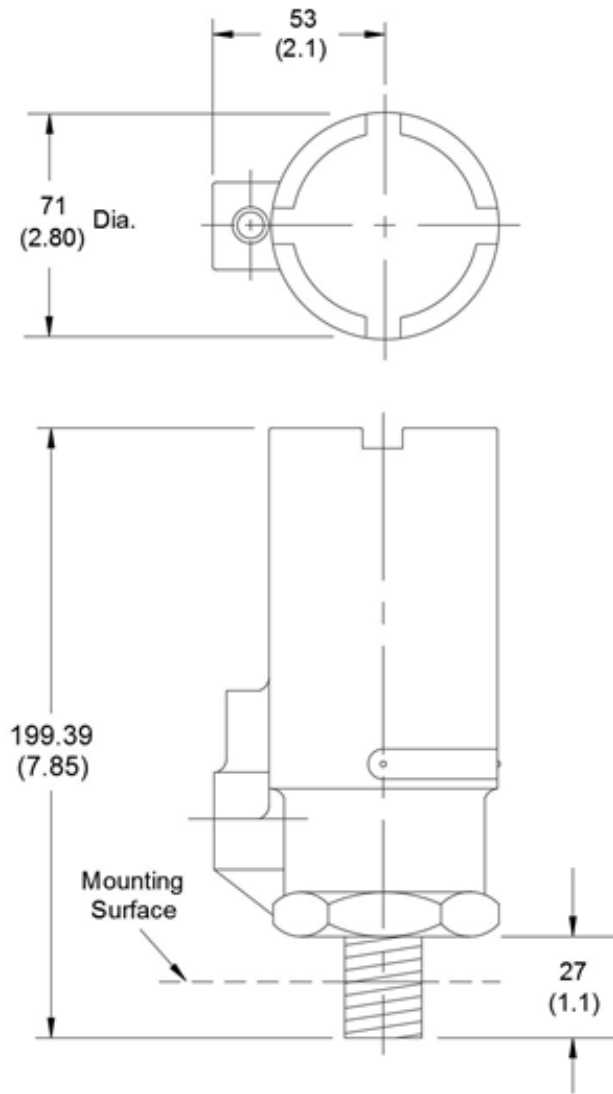


Figure 1: Velocity Transducer Housing with Tall Cap

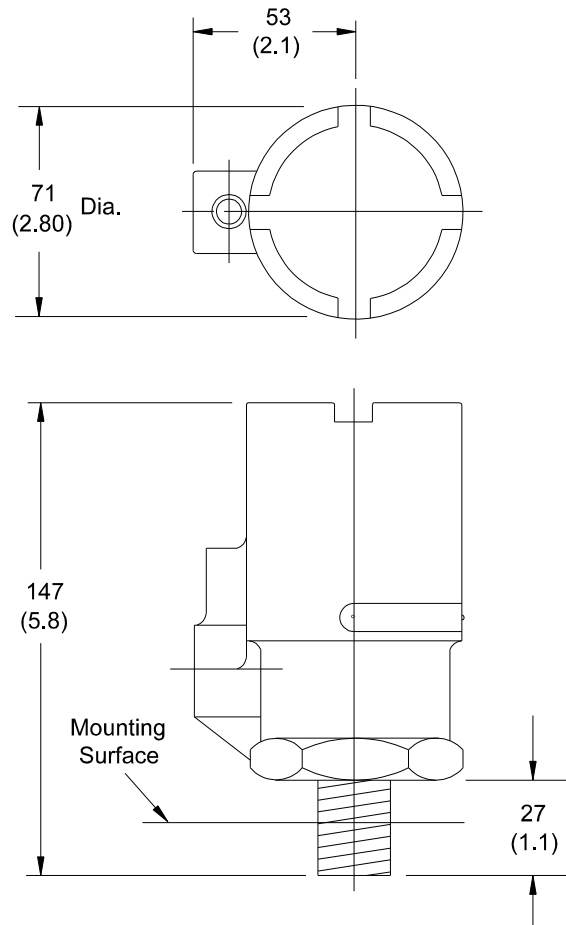


Figure 2: Velocity Transducer Housing with Standard Cap

© 1999 – 2017 Bently Nevada LLC All rights reserved.

* Denotes trademarks of Bently Nevada, LLC, a wholly owned subsidiary of General Electric Company.

All product and company names are trademarks of their respective holders.

Use of the trademarks does not imply any affiliation with or endorsement by the respective holders.

The information contained in this document is subject to change without prior notice.

Printed in USA. Uncontrolled when transmitted electronically.

1631 Bently Parkway South, Minden, Nevada USA 89423

Phone: 775.782.3611 www.GEMeasurement.com