

9200 and 74712 Seismoprobe Velocity Transducers

Datasheet

Bently Nevada Machinery Condition Monitoring




Description

Bently Nevada Seismoprobe Velocity Transducer Systems are designed to measure absolute (relative to free space) bearing housing, casing, or structural vibration. The two-wire systems consist of a transducer and appropriate cable.

The Seismoprobe family of velocity transducers is a two-wire design that uses moving-coil technology. It provides a voltage output directly proportional to the transducer's vibration velocity.

Moving-coil transducers are less sensitive to impact or impulsive excitation than solid-state velocity transducers, which are inherently accelerometers with embedded integration electronics.

Moving-coil transducers are less sensitive to impact or impulsive excitation and can represent a good choice for certain applications. Because they don't require external power, they are convenient for portable measurement applications.

 For most installations, Bently Nevada's Velomitor family of velocity transducers, which incorporate solid-state technology, provide improved performance and ruggedness for casing velocity measurement applications.



Available Types

Two types of Seismoprobe Velocity Transducer are available:


- 9200: The 9200 is a two-wire transducer suitable for continuous monitoring or for periodic measurements in conjunction with test or diagnostic instruments. When ordered with the integral cable option, the 9200 has excellent resistance to corrosive environments without need of additional protection.
- 74712: The 74712 is a high temperature version of the 9200.

Interconnect cables are available for connecting the 9200 and 74712 transducers to other instruments. These cables are available in various lengths with or without stainless steel armor.

When ordering the 9200 and 74712 Seismoprobe Velocity Transducers, expect approximately a six (6) week lead time. That lead time can vary based on component availability and configuration. Contact your local Bently Nevada representative for projected lead times for your specific order.

Measuring Housings for Transducer Placement

If you are measuring a machine housing to determine where to place transducers, consider the types of measurements you want to obtain. Most common machine malfunctions like imbalance or misalignment originate at the rotor and cause a change—usually an increase—in rotor vibration.

 If you integrate the 330500 Velomitor output to measure displacement, electrical noise from interference and the transducer circuit can be amplified. The noise can degrade performance of 330500 transducers and produce inaccurate displacement data.

To obtain high quality data, plan on locating the transducer in a location where it can best detect machine vibration through the bearing housing

or machine casing. Select a location, grounding, and shielding that maximizes amplitude and frequency response and lessens data that doesn't represent actual machine vibration.

Bently Nevada provides engineering services to determine the optimum location to place transducers. We also can install transducers if needed. For assistance, contact your local customer care representative or [Bently.com](https://www.bently.com).

Specifications

Specifications are at approximately +22°C (+72°F) with 25 mm/s (1 in/s) of machine casing vibration at 100 Hz (6000 cpm) with a 10 kΩ load unless otherwise specified.

Electrical

Sensitivity	20 mV/mm/s (500 mV/in/s), ±5% when properly terminated and oriented at the angle of calibration.
Calibration Load	10 kΩ Terminal "A" to "B" Output taken across pins "A" and "B"
Sensitivity Temperature Coefficient	0.2%/°C
Frequency Response - See "Theoretical Velocity Seismoprobe Frequency Response" on page 8	4.5 to 1000 Hz (270 to 60,000 CPM); +0, -3dB typical. 10 to 1000 Hz (600 to 60,000 CAM); +0, -3dB typical. 15 to 1000 Hz (900 to 60,000 CPM); +0, -3dB typical.
Frequency response	From minimum operating frequency (see ordering information) to 1 kHz (60,000 cpm); +0, -3dB typical. Please contact Bently Nevada LLC. for detailed calibration data.
Dynamic operating range	2.54 mm (0.100 in) peak to peak maximum displacement.
Velocity Range	25 mm/s (1 in/s) (at +22 °C of casing vibration at 100 Hz with a 10 kΩ load.
Coil Resistance	1.25 kΩ ±5%
Locked Coil Inductance	125 mH, Typical
Amplitude Linearity	±5% from 0.01 to 5.0 in/s (0.254 to 127 mm/s) at 100Hz (6000CPM)
Shock resistance	Withstands 50 g peak maximum acceleration along non-sensitive axis.

Transverse sensitivity	±10% maximum of the sensitive axis sensitivity at 100 Hz and 1.0 in/s (2.54 cm/s)
Polarity of output signal	Pin A goes positive with respect to Pin B when the transducer case velocity is towards the connector.
Lead wire length	305 meters (1,000 feet) maximum between Seismoprobe Velocity Transducer and 3300 or 3500 Monitor. Consult manual for frequency roll-off at longer lengths.

Environmental Limits

Operating and Storage Temperature:	9200: -29°C to +121°C (-20°F to +250°F). 74712: -29°C to +204°C (-20°F to +400°F):.
Environment	Dust and moisture resistant. Note: Contact your Sales Professional regarding transducer operation in a radiation environment.
Relative Humidity	To 95%, noncondensing. 100%, non-submerged, when ordered with integral cable.

Mechanical

Case and Adapter Material	Anodized aluminum A204
Gasket Material	9200: Neoprene 74712: Silicone

Connector Material

Top and Side Mount Options	Cadmium-plated aluminum, neoprene, and silver-plated copper
Terminal Block Option	Polyphenylene Sulfide with nickel-plated copper contacts.

Mounting Torque

½-20, ¼-20, ¼-28, 5/8-18, or M10x1 mounting base options:	5.6 Nm (50 in lb)
---	-------------------

9200 and 74712 Seismoprobe Velocity Transducers Datasheet

8-32 threaded studs	1.41 Nm (12.5 in lb)
---------------------	----------------------

Physical

Height	102 mm (4 in) typical (depending on connector option).
Diameter	41 mm (1.6 in) typical.
Weight	9200 = 300 grams (10.5 ounces) typical. 74712 = 480 grams (17 ounces) typical.
Seismoprobe Velocity Transducer orientation	All Seismoprobe Velocity Transducers are specified for mounting orientation, see "Graphs and Figures" on page 1.

Compliance and Certifications

FCC

This device complies with part 15 of the FCC Rules. Operation is subject to the following two conditions:

- This device may not cause harmful interference.
- This device must accept any interference received, including interference that may cause undesired operation.

EMC

EN 61326-1

EMC Directive 2014/30/EU

RoHS

RoHS Directive 2011/65/EU

ATEX (where the applicable dash option has been ordered)

EN 60079-0

EN 60079-11

EN 60079-15

ATEX Directive 2014/34/EU

Hazardous Area Approvals

ATEX/IECEX

74712 and 9200

 II 1 G Ex ia IIC T6 Ga
II 3 G Ex nL IIC T6 Gc

T6 @ Ta = -20°C to +40°C

Ordering Information

For the detailed listing of country and product specific approvals, refer to the Approvals Quick Reference Guide (document 108M1756) at Bently.com.

Two-wire Transducer

9200 - AA-BB-CC-DD

A: Transducer Mounting Angle/Minimum Operating Frequency Option

01	0 ±2.5, 4.5 Hz (270 cpm)
02	45 ±2.5, 4.5 Hz (270 cpm)
03	90 ±2.5, 4.5 Hz (270 cpm)
06	0 ±100, 10 Hz (600 cpm)
09	0 ±180, 15 Hz (900 cpm)

B: Connector/Cable Option

01	Top Mount (no cable)
02	Side Mount (no cable)
05	Terminal block top mount (no cable)

10 through 50

Integral hardline cable (see Figure 7 for example). Option number corresponds to cable length in feet. Standard cable lengths are shown below. Other cable lengths between 7 feet and 50 feet may be available through custom products. When ordering for hazardous area

10	10 feet (3.0 metres)
15	15 feet (4.6 metres)
22	22 feet (6.7 metres)
32	32 feet (9.8 metres)
50	50 feet (15.2 metres)

C: Mounting Base Option

01	Circular; 1/4-in 20 UNC stud
02	Circular; 1/4-in 28 UNF stud
03	Rectangular flange
04	Circular; with three 8-32 threaded studs on a 44 mm (1.75 in) diameter bolt circle

05	No base; 1/2-in 20 UNF-3A stud
06	Isolated circular 1/4-in 20 UNC stud
07	Isolated circular 1/4-in 28 UNF stud
08	Isolated rectangular flange
09	Isolated circular 5/8-in 18 UNF stud
10	Circular; M10X1 stud
11	Isolated circular M10X1
12	Isolated circular 1/2-in 20 UNF-2A

D: Agency Approval Option

00	No Approvals
04	ATEX/IECEX

High-temperature Two-wire Transducer

74712 - AA-BB-CC-DD

A: Transducer Mounting Angle/Minimum Operating Frequency Option	
01	0 ±2.5, 4.5 Hz (270 cpm)
02	45 ±2.5, 4.5 Hz (270 cpm)
03	90 ±2.5, 4.5 Hz (270 cpm)
06	0 ±100, 10 Hz (600 cpm)
07	0 ±180, 15 Hz (900 cpm)
B: Mounting Base Option	
01	Circular; 1/4-in 20 UNC stud
02	Circular; 1/4-in 28 UNF stud
03	Rectangular flange
04	Circular; with three 8-32 threaded studs on a 44 mm (1.75 in) diameter bolt circle
05	No base; 1/2-in 20 UNF-3A stud
06	Isolated circular 1/4-in 20 UNC stud
07	Isolated circular 1/4-in 28 UNF stud
08	Isolated rectangular flange
09	Isolated circular 5/8-in 18 UNF stud
10	Circular; M10X1 stud
11	Isolated circular M10X1
12	Isolated circular 1/2-in 20 UNF-2A
C: Connector Option	
01	Top Mount
02	Terminal block top mount
05	Side mount
D: Agency Approval Option	
00	No Approvals
04	ATEX/IECEX

Graphs and Figures

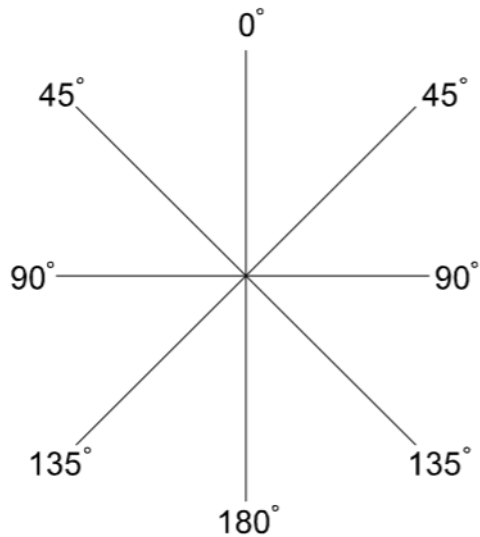


Figure 1: Seismoprobe Orientation

All Seismoprobe Velocity Transducers are specified for the mounting orientations shown here. 0° is vertical, as viewed from driver end of the monitored machine.

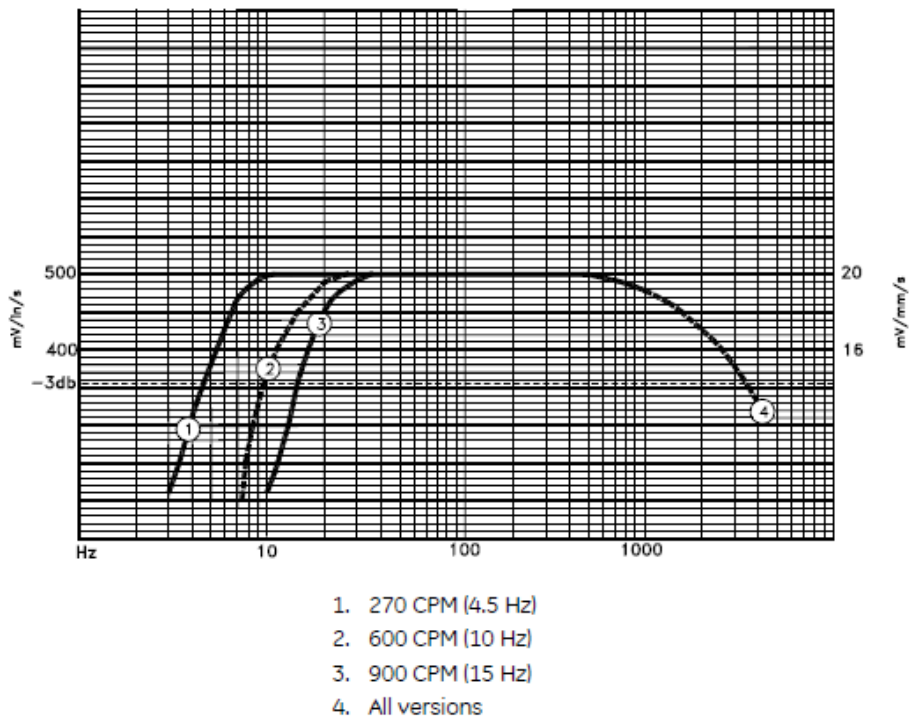


Figure 2: Theoretical Velocity Seismoprobe Frequency Response

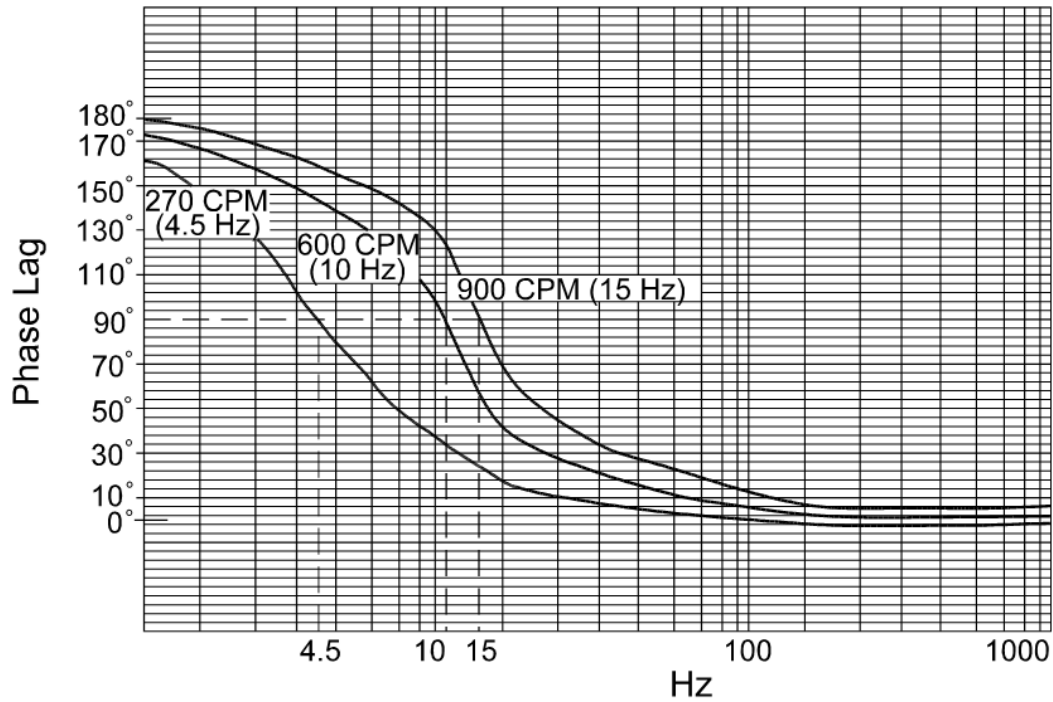


Figure 3: Theoretical Phase Shift between Output and Case Velocity

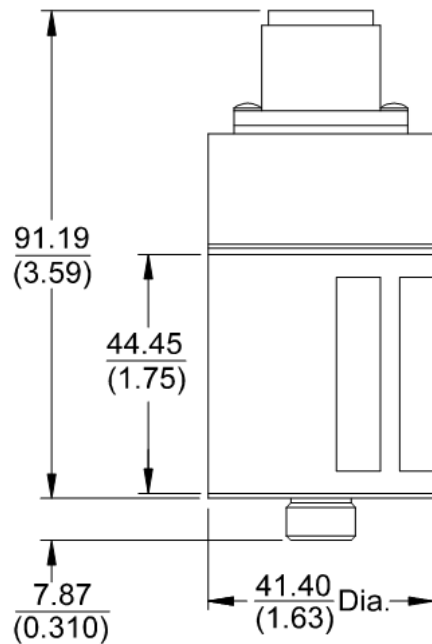


Figure 4: Top Mounted Conector

(9200 Option B-01 or 74712 Option C-02)
Note: All dimensions are shown in millimeters (inches)

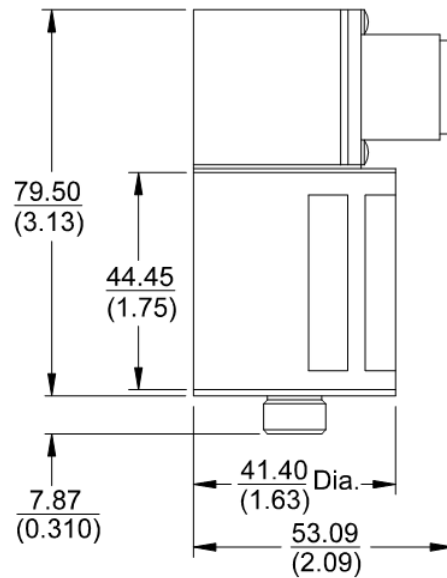


Figure 5: Side Mounted Connector

(9200 Option B-02 or 74712 Option C-04)

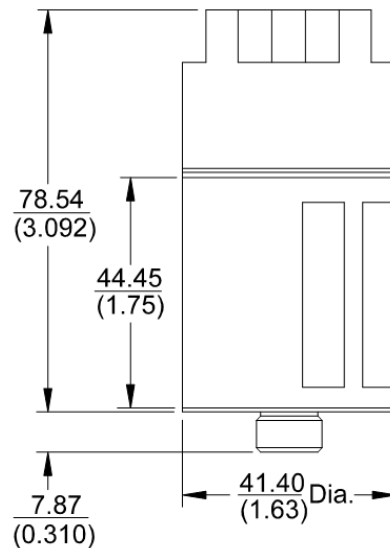


Figure 6: Terminal Block Connector

(9200 Option B-05 or 74712 Option C-03)

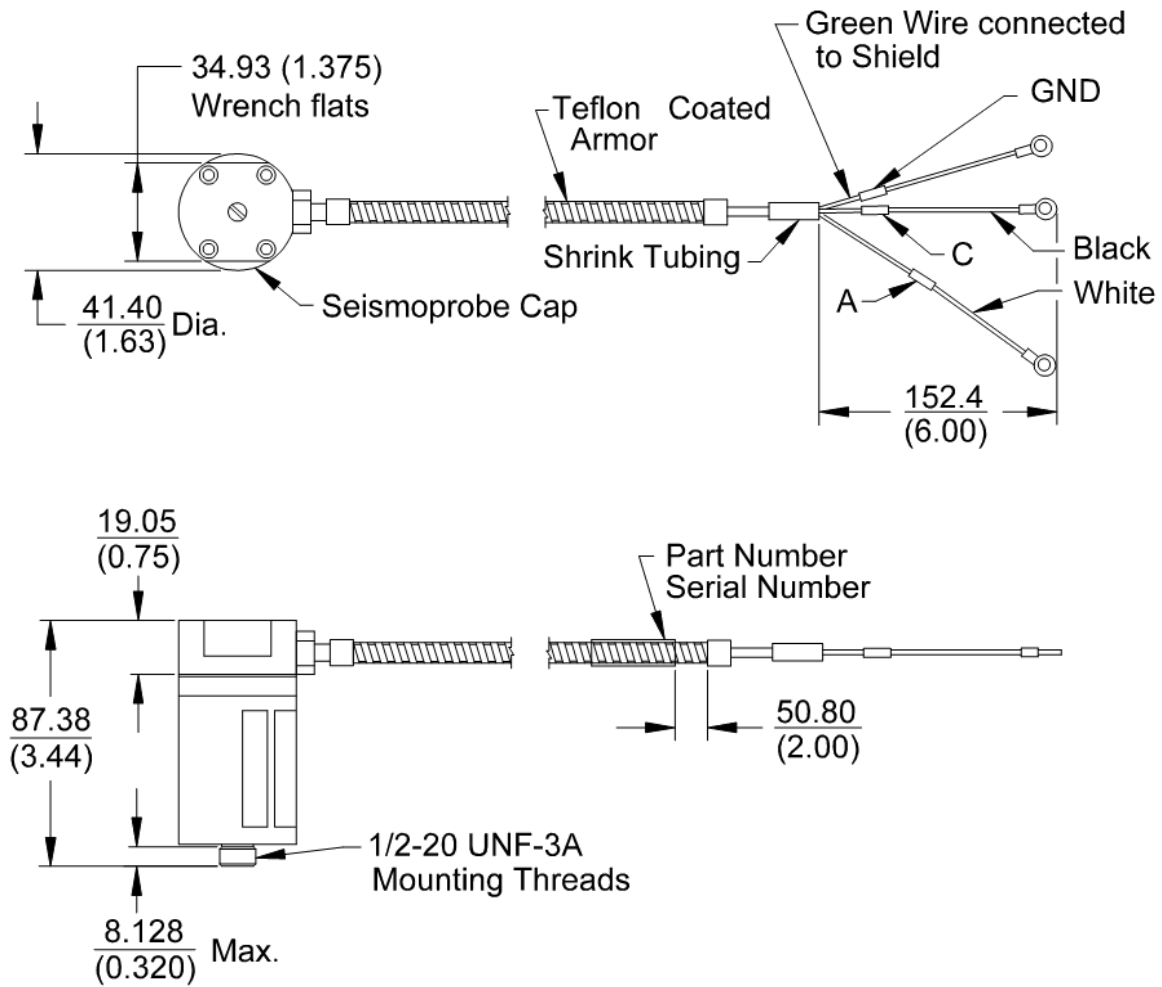


Figure 7: 9200 Standard Integral Cable Options B-10 through B-50

Integral cable is not available with the 74712 High Temperature Seismoprobe.

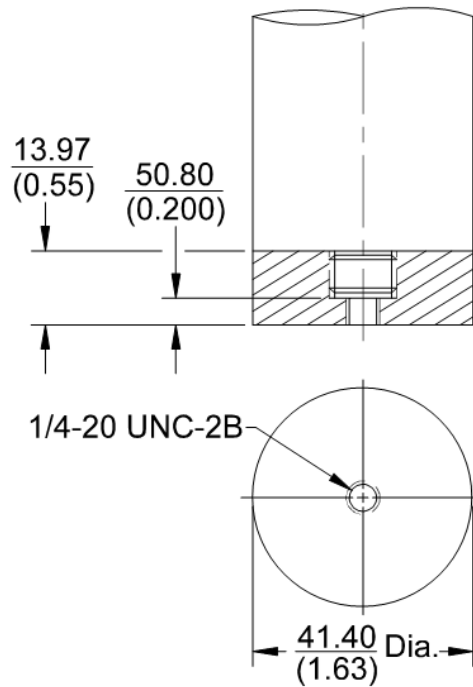


Figure 8: 9200 (C) and 74712 (B) Mounting Base

Option -01 Circular base for 1/4-20 UNC-2B stud, or
Option -06 Isolated circular base for 1/4-20 UNC-2B stud.

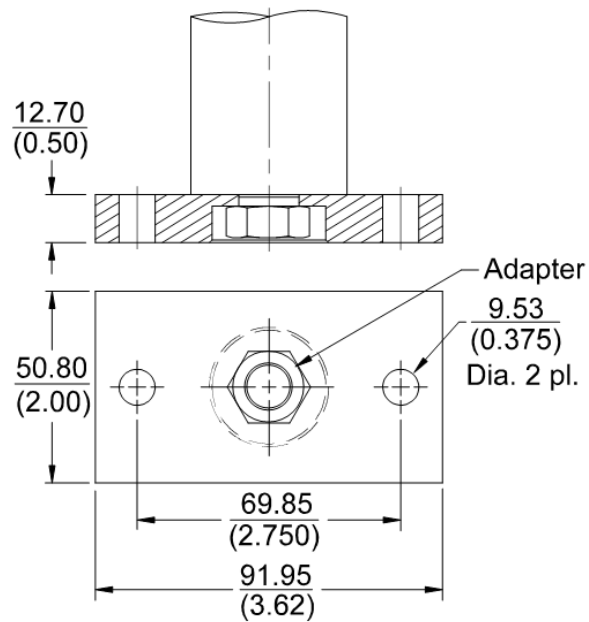


Figure 9: 9200 (C) and 74712 (B) Mounting Base

Option -03 Rectangular Flange, or
Option -08 Isolated Rectangular Flange

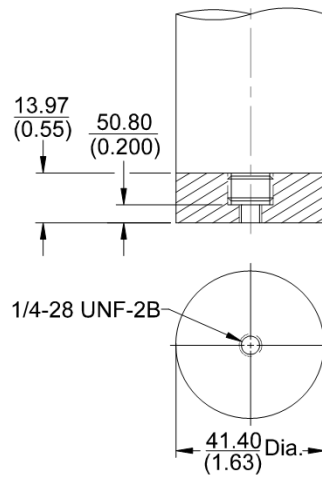


Figure 10: 9200 (C) and 74712 (B) Mounting Base

Option -02 Circular base for 1/4-28 UNF-2B stud, or
Option -07 Isolated circular base for 1/4-28 UNF-2B stud

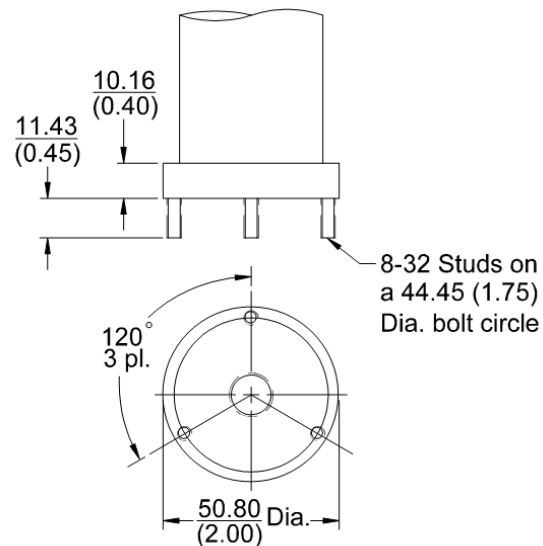


Figure 11: 9200 (C) and 74712 (B) Mounting Base

Option -04: Circular base with three 8-32 studs.

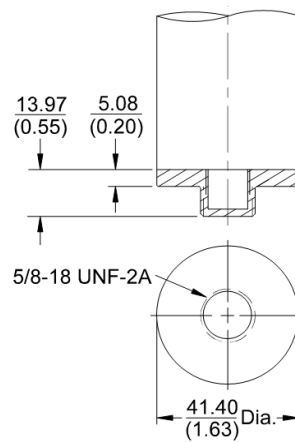


Figure 12: 9200 (C) and 74712 (B) Mounting Base

Option -09 Isolated circular base with 5/8-18 UNF-2A stud.

Copyright 2019 Baker Hughes, a GE company, LLC ("BHGE") All rights reserved.

Bently Nevada, Orbit Logo and Velomitor are registered trademarks of BHGE in the United States and other countries. All product and company names are trademarks of their respective holders. Use of the trademarks does not imply any affiliation with or endorsement by the respective holders.

This product may be covered by one or more patents, see Bently.com/legal for current status.

The information contained in this document is subject to change without prior notice.

1631 Bently Parkway South, Minden, Nevada USA 89423

Phone: 1.775.782.3611 Bently.com

