

# 3300 XL Underwater Probes

## Datasheet

Bently Nevada Machinery Condition Monitoring

---

### Description

3300 XL underwater probes are designed specifically for applications involving constant exposure to liquids, such as those in hydroelectric plants or sewage treatment facilities. These designs also seal the probes against gases. All our underwater probes are rated to 500 psi (34 Bar) on the interface between the tip and probe casing. Contact a sales representative for applications that require higher pressure ratings.

All of the underwater probes are compatible with standard 3300 XL Proximity Sensors and extension cables. Note that these probes each belong to a different family (8mm, 11mm, or 25mm) and consequently require different Proximity Sensors and extension cables. Refer to the standard data product sheets to obtain ordering information for the 8mm, 11mm, and 25mm transducer systems.

The 100630, 148239, and 174985 probes were developed for applications in which the entire probe is submerged or exposed to fluids. Tubing attached to the probe case protects the probe cable, but the connector end of the probe is not sealed against liquids and must not be submerged. In addition, the probe case is made of 304 Stainless Steel and is not suitable for salt-water applications. Contact a sales representative if you have an application involving salt water.



## Specifications

### Electrical & Mechanical

The electrical and mechanical specifications for each of these probes are the same as standard product for the 8mm, 11mm, and 25mm systems.

Reference data sheets as follows for complete specifications

Probe 100630	3300 XL 8mm System datasheet document 141194.
Probe 148239	3300 XL 11mm System datasheet document 146256.
Probe 174985	3300 XL 25mm System datasheet document 163236

### Environmental Limits

#### Probe Temperature Range

Operating and Storage Temperature	-51 °C to +177 °C (-60 °F to +351 °F)
Probe Pressure	Rated to seal 34 Bar (500 psi) Nitrogen. Modifications are available for applications involving higher pressures. Contact a Sales Representative if your application requires a test of the pressure seal. <sup>1</sup>

#### Note<sup>1</sup>

It is the responsibility of the customer or user to ensure that all liquids and gases are contained and safely controlled should leakage occur from a proximity probe. Bently Nevada will not be held responsible for any damages resulting from leaking proximity probes.

## Compliance and Certifications

### FCC

This device complies with part 15 of the FCC Rules. Operation is subject to the following two conditions:

- This device may not cause harmful interference.
- This device must accept any interference received, including interference that may cause undesired operation.

### EMC

EN 61000-6-2

EN 61000-6-4

EMC Directive 2014/30/EU

### ATEX (where the applicable dash option has been ordered)

EN 60079-0

EN 60079-11

EN 60079-15

EN 60079-7

ATEX Directive 2014/34/EU

### RoHS

RoHS Directive 2011/65/EU

### Maritime

ABS 2009 Steel Vessels Rules

1-1-4/7.7,4-8-3/1.11.1,4-9-7/13

## Hazardous Area Approvals

### CSA/NRTL/C

3300 XL Proximity Sensor

ia:

Class I, Zone 0: Aex/Ex ia IIC T4/T5 Ga

Class 1, Groups A,B,C, and D,

Class II, Groups E, F, and G,

Class III

When installed with intrinsically safe zener barriers per drawing 141092 or when installed with galvanic isolators.

nA, ec:

Class I, Zone 2: AEx/Ex nA IIC T4/T5 Gc

Class I, Division 2, Groups A, B, C, and D

Class I, Zone 2 AEx/Ex ec IIC T4/T5 Gc;

Class I, Division 2, Groups A, B, C, and D

When installed without barriers per drawing 140979

T5 @ Ta= -55C to +40C

T4 @ Ta = -55C to +80C

## 3300 XL Probe

ia:

Class I, Zone 0: Aex/Ex ia IIC T5...T1 Ga

Class 1, Groups A,B,C, and D,

Class II, Groups E, F, and G,

Class III

When installed with intrinsically safe zener barriers per drawing 141092 or when installed with galvanic isolators. (See table below, Temperature Schedule)

nA, ec:

Class I, Zone 2: AEx/Ex nA IIC T5...T1 Gc

Class I, Division 2, Groups A, B, C, and D  
 Class I, Zone 2 AEx/Ex ec IIC T5...T1 Gc;  
 Class I, Division 2, Groups A, B, C, and D  
 When installed without barriers per drawing  
 140979 (See table below, Temperature  
 Schedule)

## ATEX/IECEX

### 3300 XL Proximator Sensor

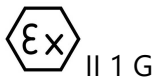
ia:

Ex ia IIIC T90C/T105C Dc

For EPL Dc:

T105C @ Ta = -55C to 100C

T90C @ Ta = -55C to +85C



Ex ia IIC T4/T5 Ga

Ui = -28V Uo = -28V

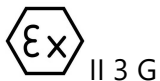
Ii = 140mA Io = 140mA

Pi = 0.91W Po = 0.742W

Ci = 47nF Co = 1.5nF

Li = 1460μH Li = 610μH

nA, ec:



Ex nA IIC T4/T5 Gc

Ex ec IIC T4/T5 Gc

Ui = -28V Li = 140 Ma

T5 @ Ta = -55° C to +40 °C

T4 @ Ta = -55 °C to +80 °C

### 3300 XL Probe

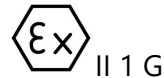
Note: Probe entity parameters are met when used with BN extension cables and connected to BN Prox.

ia:

Ex ia IIIC T90C ... T280C Dc

For EPL Dc:

(see Table 5: Temperature Schedule)



Ex ia IIC T5...T1 Ga, (see table below,  
 Temperature Schedule)

Ui = -28V Ci = 1.5 nF

Ii = 140 mA Li = 610 μH

Pi = 0.91 W

nA, ec:



Ex nA IIC T5...T1 Gc,

Ex ec IIC T5...T1 Gc,

(see table below, Temperature Schedule).

Ui = -28V Li = 140 mA

The Prox must be installed so as to provide the terminals with a degree of protection of at least IP54.

Temperature Schedule	
Temperature Classification	Ambient Temperature (Probe Only)
For EPL Ga and Gc	
T1	-55°C to +232°C
T2	-55°C to +177°C
T3	-55°C to +120°C

T4	-55°C to +80°C
T5	-55°C to +40°C
For EPL Dc	
T280C @ Ta	-55°C to +232°C
T225C @ Ta	-55°C to +177°C
T170C @ Ta	-55°C to +120°C
T130C @ Ta	-55°C to +80°C
T90C @ Ta	-55°C to +40°C

## Hazardous Area Conditions of Safe Use

### Zone 0/1:

1. The exposed plastic surface of the Probes with 50 mm diameter, under certain extreme circumstances, may generate an ignition-capable level of electrostatic charge. Therefore, this version of the equipment shall not be installed in a location where the external conditions are conducive to the build-up of electrostatic charge on the plastic surface. In addition, the equipment shall only be cleaned with a damp cloth. This is particularly important if the equipment is installed in a Zone 0 location.
2. The end user is to ensure appropriate earthing upon installation.

### Zone 2 :

1. This product is not resistant to light as required by the relevant clause of EN 60079-0, therefore, it shall only be installed in a location where it is not exposed to direct sunlight or any other source of ultra-violet (UV) light.
2. The connector shall not be disconnected while the circuit is live unless the area is known to be non-hazardous.
3. The end user is to ensure appropriate earthing upon installation.

## Ordering Information


 For the detailed listing of country and product specific approvals, refer to the **Approvals Quick Reference Guide**, Document 108M1756, at [Bently.com](http://Bently.com).

### 3300 XL 8mm Underwater Proximity Probe

**100630** 3/8-24 UNF thread, sealed case with Tefzel Tubing

**100630-AA-BB-CC-DD**

#### A: Unthreaded Length Option

 Unthreaded length must be at least 0.7 in. less than the case length.

#### Length configurations:

Order in increments of 0.1 in

**Maximum unthreaded length:** 9 9 = 8.9 in

**Minimum unthreaded length:** 0 8 = 0.8 in

Example: 04 = 0.4 in.

#### B: Overall Case Length Option

#### Length configurations:

Order in increments of 0.1 in

**Maximum unthreaded length:** 8 9 = 8.9 in

**Minimum unthreaded length:** 0 0 = 0.0 in

Example: 24 = 2.4 in.

#### C: Total Length Option

<b>05</b>	0.5 metre (1.6 feet)
<b>10</b>	1.0 metre (3.3 feet)
<b>15</b>	1.5 metre (4.9 feet)
<b>20</b>	2.0 metres (6.6 feet)
<b>50</b>	5.0 metres (16.4 feet)
<b>90</b>	9.0 metres (29.5 feet)

#### D: Connector and Cable Type Option


<b>A</b>	Miniature coaxial ClickLoc connector with connector protector, standard cable
<b>B</b>	Miniature coaxial ClickLoc connector, standard cable

### 3300 XL 11mm Underwater Proximity Probe

**148239** 5/8-18 UNF thread, sealed case with Tefzel Tubing

**148239-AA-BB-CC-DD**

#### A: Unthreaded Length Option

 Unthreaded length must be at least 1.0 in. less than the case length.

#### Length configurations:

Order in increments of 0.1 in

**Maximum unthreaded length:** 11 = 11.0 in

**Minimum unthreaded length:** 00 = 0.0 in

Example: 04 = 0.4 in.

#### B: Overall Case Length Option

#### Length configurations:

Order in increments of 0.1 in

**Maximum unthreaded length:** 12.0 in

**Minimum unthreaded length:** 1.8 in

Example: 24 = 2.4 in.

#### C: Total Length Option

<b>10</b>	1.0 metre (3.3 feet)
<b>50</b>	5.0 metres (16.4 feet)
<b>90</b>	9.0 metres (29.5 feet)

#### D: Connector and Cable Type Option

<b>A</b>	Miniature coaxial ClickLoc connector with connector protector, standard cable
<b>B</b>	Miniature coaxial ClickLoc connector, standard cable

## 3300 XL 25mm Underwater Proximity Probe

174985 1.25-12 UNF thread, sealed case with Tefzel Tubing.

### 174985-AA-BB-CC

#### A: Unthreaded Length Option



Unthreaded length must be at least 1.0 in. less than the case length.

#### Length configurations:

Order in increments of 0.1 in

**Maximum unthreaded length:** 8.9 in

**Minimum unthreaded length:** 0.0 in

Example: 04 = 0.4 in.

#### B: Overall Case Length Option

#### Length configurations:

Order in increments of 0.1 in

**Maximum unthreaded length:** 9.9 in.

**Minimum unthreaded length:** 1.2 in

Example: 24 = 2.4 in.

#### C: Total Length Option

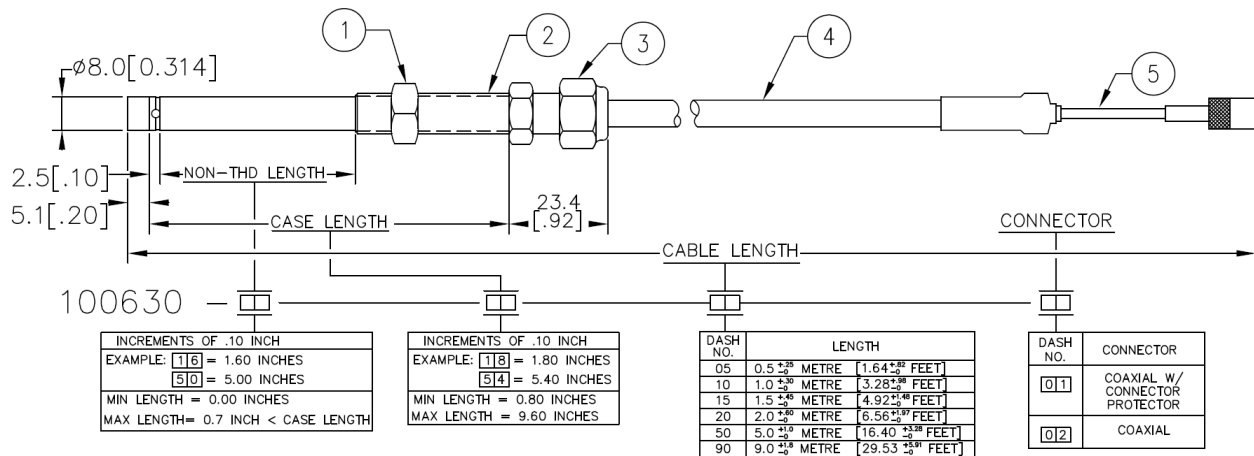
<b>10</b>	1.0 metre (3.3 feet)
<b>50</b>	5.0 metres (16.4 feet)
<b>90</b>	9.0 metres (29.5 feet)

## Accessories

40113-02	Connector Protector Kit  Connector Protector Kit for probes and extension cables, including installation tools. The 03800001 connector protector must be ordered separately.
136536-01	Connector Protector Adapter  Allows connector protector installation tools manufactured prior to 1998 to be used with 75 W ClickLoc connectors.
03839410	75 ohm Triaxial Male Connector Protector  Male connector protectors are installed onto the extension cable and

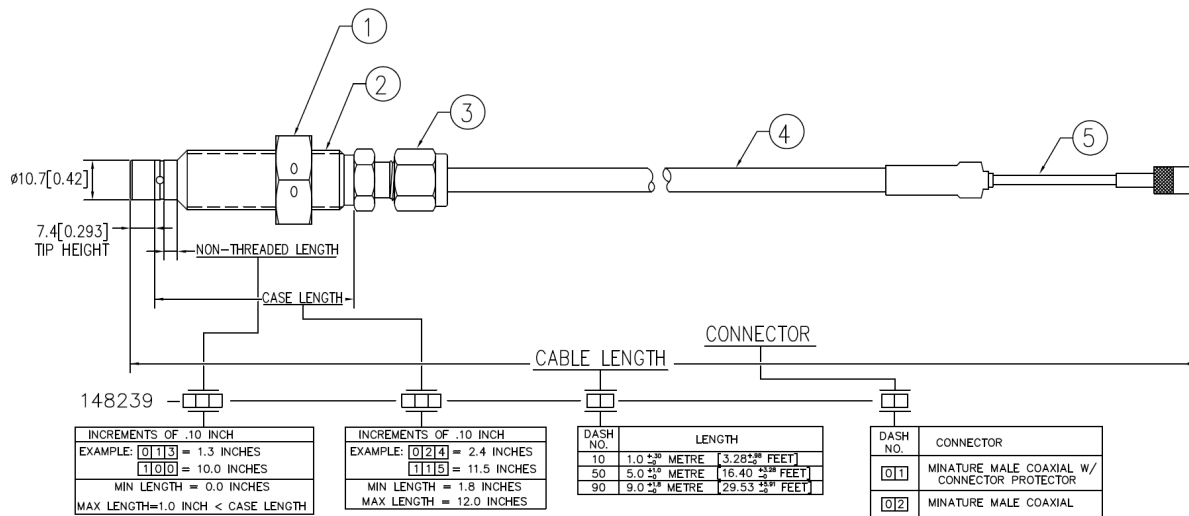
	attach to the female connector protector on the probe, providing environmental protection of connectors.
03800001	75 ohm Coaxial Female Connector Protector  Female connector protectors are installed onto the probe lead and attach to the male connector protector on the extension cable, providing environmental protection of connectors. Also placed on the extension cable to slide over the connection to the Proximitor Sensor and protect it from the environment.
04301007	3/8-24 Probe Lock Nut with safety wire holes  Single probe lock nut with two holes drilled through the nut to allow safety wire to secure the lock nut in place.
173873	High Temperature Cable Ties  The 173873 high temperature cable tie is an economical alternative to metal brackets in high temperature applications. These cable ties are molded from PEEK polymer for multiple uses in extreme environments up to 180°C (356°F). 7-inch length, bag of 50.

## Graphs and Figures



1. Jam nut 9/16 inch wrench flats
2. Probe threads, 3/8-24 UNF 2A
3. Swagelokfitting, used to secure tubing to probe case. Do not loosen this fitting.
4. Tefzeltubing 0.25 inch outside diameter
5. Coaxial cable 0.145 inch maximum diameter

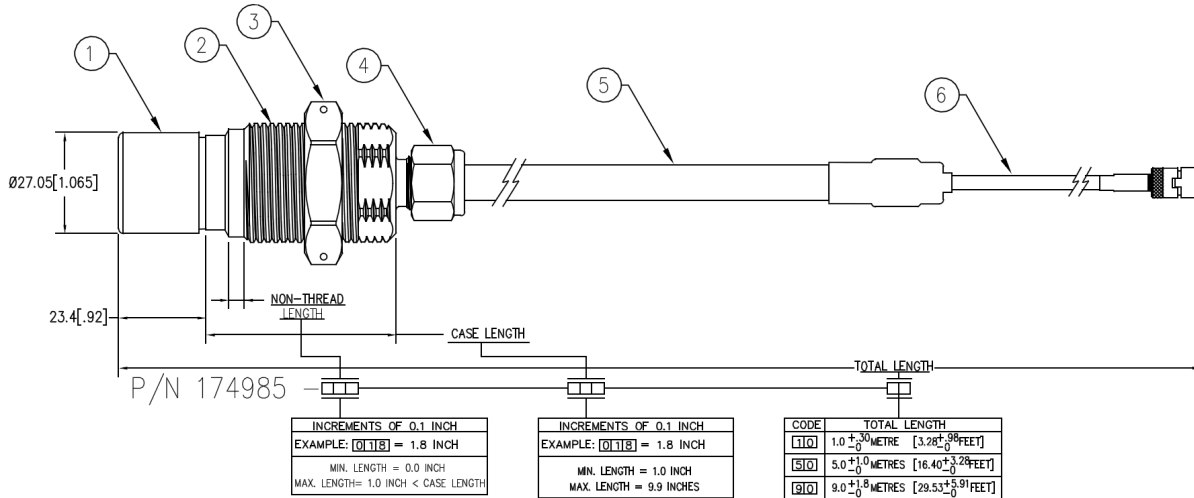
**Figure 1: Probe 100630, 3300 XL 8mm 3/8-24 Thread Forward Mount**



1. Jam nut, 15/16 inch hex with safety wire holes
2. 5/8-18 UNF 2A Mounting threads
3. Swagelok fitting, used to secure tubing to probe case. Do not loosen this fitting.
4. Tefzel tubing 0.25 inch outside diameter
5. Coaxial cable 0.145 inch maximum diameter

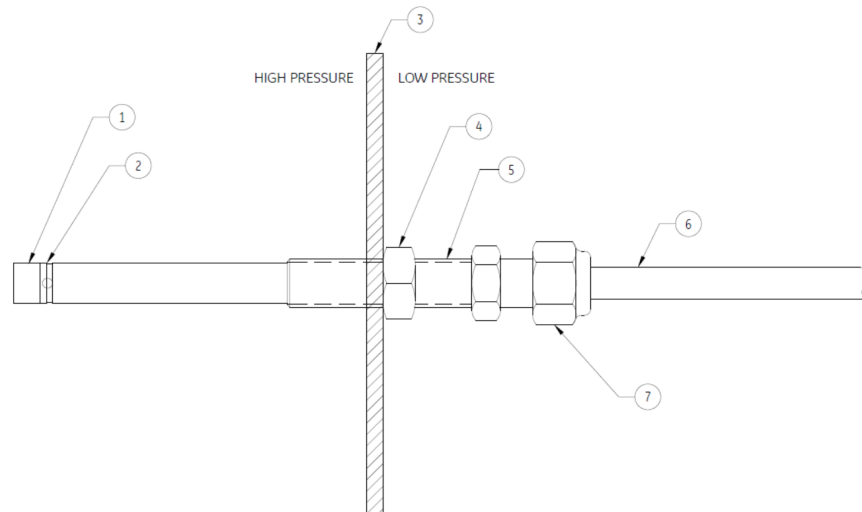
**Figure 2: Probe 148239, 3300 XL 11mm 5/8-18 Thread Forward Mount**





1. PEEK polymer tip
2. 1.25-12 mounting threads with 1.125 inch integral wrench flats
3. Jam nut, 1.5 inch hex with safety wire holes
4. Swagelok fitting, used to secure tubing to probe case. Do not loosen this fitting.
5. Tefzel tubing 0.375 inch outside diameter
6. Coaxial cable 0.145 inch maximum diameter

**Figure 3: Probe 174985, 1.25 - 12 Thread, Forward Mount with Tefzel Tubing Protecting Probe Cable**



1. Probe tip
2. 500 PSI rated seal between tip and case
3. Machne casing
4. Jam nut
5. Swagelok fitting
6. Tefzel tubing
7. Swagelok and Tefzel seal designed for submersion but not pressure rated

**Figure 4: Probe Pressure Rating Detail**

**Note**

All dimensions on figures are in millimetres [inches] unless otherwise noted.

Copyright 2019 Baker Hughes, a GE company, LLC ("BHGE") All rights reserved.

Bently Nevada, Proximitor, Keyphasor and Orbit Logo are registered trademarks of BHGE in the United States and other countries. All product and company names are trademarks of their respective holders.

Use of the trademarks does not imply any affiliation with or endorsement by the respective holders.

This product may be covered by one or more patents, see [Bently.com/legal](http://Bently.com/legal) for current status.

The information contained in this document is subject to change without prior notice.

1631 Bently Parkway South, Minden, Nevada USA 89423

Phone: 1.775.782.3611 [Bently.com](http://Bently.com)

**BAKER  
HUGHES**  
a GE company

