

21128 and 42608 Velocity Transducer Housings

Datasheet

Bently Nevada Machinery Condition Monitoring

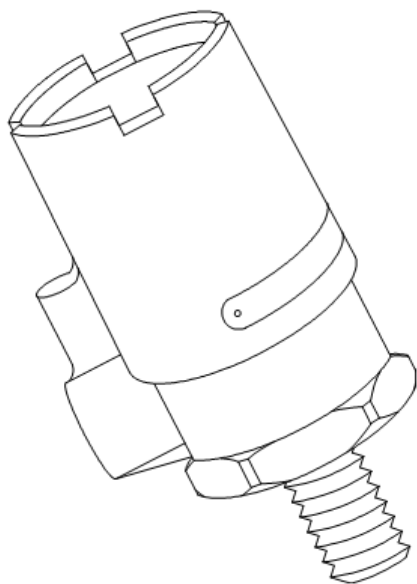
Description

Velocity Transducer Housings protect velocity sensors from damage caused by hose-directed water, corrosion, physical abuse, or other adverse environmental conditions.

Constructed of 303 stainless steel, these housings are designed to meet NEMA 4X and IP65 requirements when properly installed.

The 21128 housing is preferred for most non-hazardous environmental conditions. The CA21128 is the explosion-proof version that is CSA certified for use in Classes I, II, and III, Division 1, Groups B, C, D, E, F, and G. It must be ordered and shipped with a CSA approved velocity sensor installed in the assembly. The BA42608 housing is used for BASEEFA-approved installations where compliance with BS EN 60079 14 is necessary. It provides the environmental and physical protection needed to comply with the IP65 rating defined in IEC standard 144.

Each of these housings is now available with a tall cap. The tall cap option is required if the customer wants to install a Velomitor CT in a housing. The tall cap option is also required if installing either a 9200 or 74712 Seismoprobe with an isolated base into the 21128 housing.



Specifications

Physical

Outlet Port Size	1/2-in NPT
Internal Mounting Thread	
21128 and CA21128	1/2-in 20 UNF
BA42608	5/8-in 18 UNF-2B
Weight	1.6 kg (3.55 lb) without velocity sensor or fittings

Environmental

Temperature Rating	-29°C to +121°C (-20 °F to +250°F)
Moisture	Resistant to moisture and corrosion but is not submersible
O-ring Material	Neoprene

Compliance and Certifications

FCC

This device complies with part 15 of the FCC Rules. Operation is subject to the following two conditions:

- This device may not cause harmful interference.
- This device must accept any interference received, including interference that may cause undesired operation.

RoHS


RoHS Directive 2011/65/EU

Ordering Information

 For the detailed listing of country and product specific approvals, refer to the **Approvals Quick Reference Guide**, Document 108M1756, at Bently.com.

Water and Corrosion-resistant Velocity Transducer Housing

21128 - AA-BB

 Compatible with all Bently Nevada velocity sensors having 1/2-in 20 UNF mounting threads and a top mount connector. If planning to install the Velomitor CT or 9200/74712 sensors with an isolated base, you must order one of the 'tall cap' options.

A: Mounting Thread and Cap Option


01	Unthreaded base, 28.5 mm (1.125 in) diameter
02	3/4-in 14 NPT
03	1/2-in 14 NPT
04	1/2-in 14 BSP (G 1/2-in)
11	Unthreaded base, 28.5 mm (1.125 in) diameter with tall cap
12	3/4-in 14 NPT with tall cap
13	1/2-in 14 NPT with tall cap
14	1/2-in 14 BSP (G 1/2-in) with tall cap

B: Cable Exit Fitting Option

01	1/2-in NPT plug
02	1/2-in NPT, explosion-proof fitting
03	1/2-in NPT, explosion-proof and cable grip fittings

Explosion-proof Velocity Transducer Housing including Transducer

CA21128 - AA-BB-CC-DD

 B00 Transducer Mounting Angle/Minimum Operating Frequency option is applicable to A00 and A01 Transducer Type Options. The others are applicable to the A04 Transducer Type Option.

A: Transducer Type Option

00	No Transducer
01	Includes 330500 Velomitor velocity sensor, datasheet 141632
04	Includes 9200 Seismoprobe velocity sensor, datasheet 141626
05	Includes 74712 Seismoprobe velocity sensor, datasheet 141626

B: Transducer Mounting Angle/Minimum Operating Frequency Option:

00	No option
31	0 ±2.5, 4.5 Hz (270 cpm)
32	45 ±2.5, 4.5 Hz (270 cpm)
33	90 ±2.5, 4.5 Hz (270 cpm)
36	0 ±100, 10 Hz (600 cpm)
39	0 ±180, 15 Hz (900 cpm)

C: Mounting Thread and Cap Option

01	Unthreaded base, 28.5 mm (1.125 in) diameter
02	3/4-in 14 NPT
03	1/2-in 14 NPT
04	1/2-in 14 BSP (G 1/2-in)
11	Unthreaded base, 28.5 mm (1.125 in) diameter with tall cap
12	3/4-in 14 NPT with tall cap
13	1/2-in 14 NPT with tall cap
14	1/2-in 14 BSP (G 1/2-in) with tall cap

D: Cable Exit Fitting Option

01	1/2-in NPT plug
02	1/2-in NPT, explosion-proof fitting

03	1/2-in NPT, explosion-proof and cable grip fittings
-----------	---

IP65 Water and Dust-resistant Velocity Transducer Housing

BA42608 - AA-BB



If this housing is used with 9200 or 74712 velocity sensors, the sensors must have ATEX or Multiple approvals and an isolator having 5/8-in 18 UNF-2B male threads and a top mount terminal strip.

A: Mounting Thread and Cap Option

01	Unthreaded base, 28.5 mm (1.125 in) diameter
02	3/4-in 14 NPT
03	1/2-in 14 NPT
04	1/2-in 14 BSP (G 1/2-in)
11	Unthreaded base, 28.5 mm (1.125 in) diameter with tall cap
12	3/4-in 14 NPT with tall cap
13	1/2-in 14 NPT with tall cap
14	1/2-in 14 BSP (G 1/2-in) with tall cap

B: Cable Exit Fitting Option

01	1/2-in NPT plug
02	1/2-in NPT, explosion-proof fitting
03	1/2-in NPT, explosion-proof and cable grip fittings

Graphs and Figures

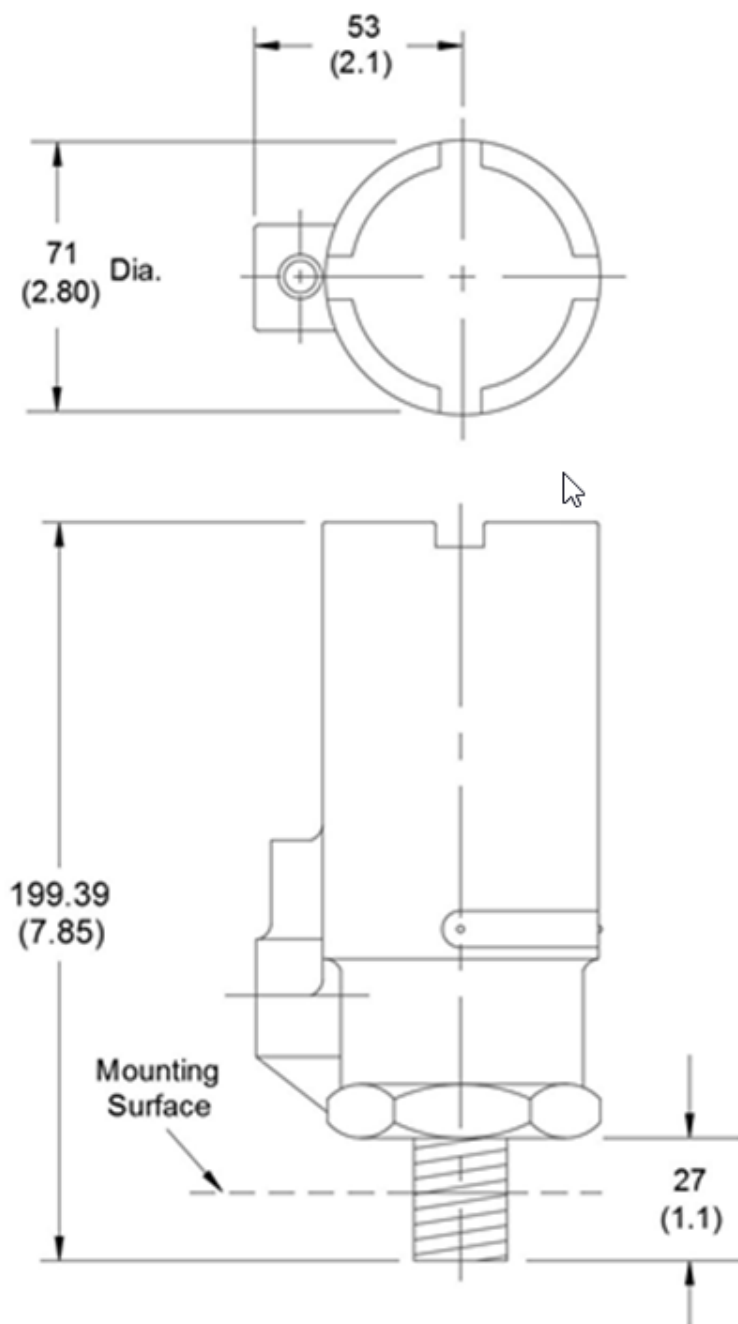


Figure 1: Velocity Transducer Housing with Tall Cap

Dimensions are in millimeters (inches).

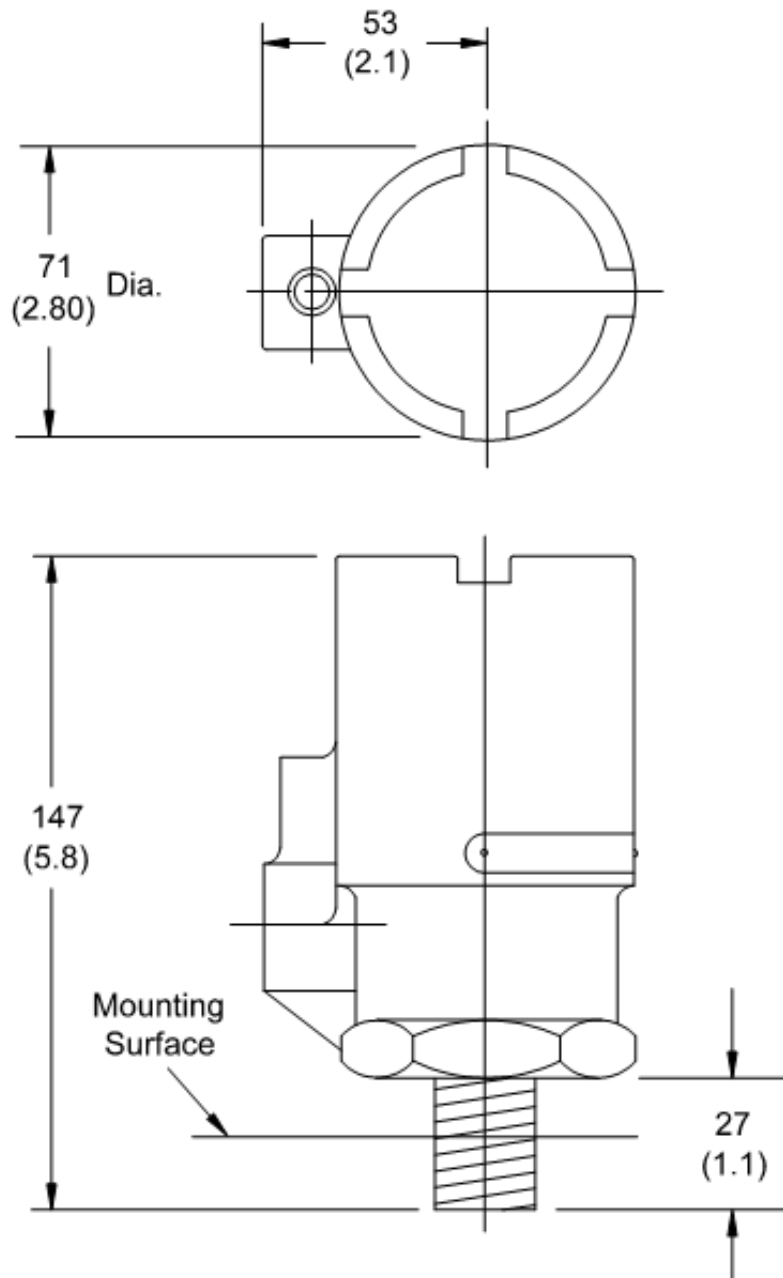


Figure 2: Velocity Transducer Housing with Standard Cap

Copyright 2019 Baker Hughes, a GE company, LLC ("BHGE") All rights reserved.

Bently Nevada, Orbit Logo, Seismoprobe and Velomitor are registered trademarks of BHGE in the United States and other countries. All product and company names are trademarks of their respective holders. Use of the trademarks does not imply any affiliation with or endorsement by the respective holders.

This product may be covered by one or more patents, see Bently.com/legal for current status.

The information contained in this document is subject to change without prior notice.

1631 Bently Parkway South, Minden, Nevada USA 89423

Phone: 1.775.782.3611 Bently.com

