



# Flare System Site Assessment

*Providing the scale, scope and knowledge in flare metering to meet MACT RSR 63.670 regulations*

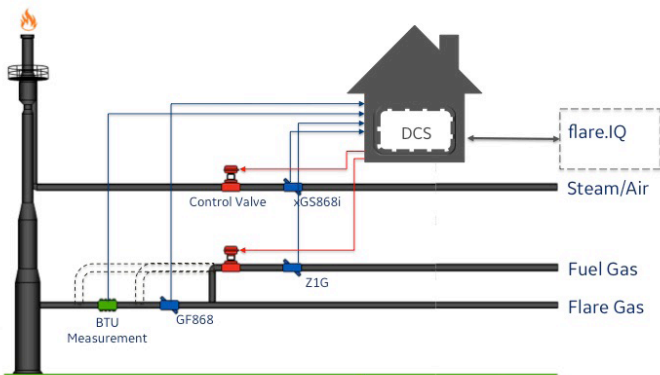
## Introduction

Passed by the EPA in December 2015, the Environmental Protection Agency (EPA) Maximum Achievable Control Technology (MACT) Petroleum Refinery Sector Risk (RSR) Part 63.670 requires refiners to be in full compliance by January 30, 2019. The rules apply primarily to flow measurement and burn efficiency of a flare and include many key provisions. For specific MACT RSR 63.670 details, refer to the EPA website, [www3.epa.gov](http://www3.epa.gov).

## Meeting compliance regulations

The flow diagram shows a general layout of how a flare needs to be controlled to comply with the rules. GE's deep product portfolio comprised of steam, flare, and gas flow meters, and our in-depth application knowledge specific to flare systems position us to be your trusted partner when it comes to MACT RSR 63.670 compliance.

Additionally, you can have peace of mind knowing GE's extensive service network is locally available to support the development of your flare solution, provide commissioning expertise, and verify that your system is operating in compliance with MACT RSR 63.670.



## GE's flare system site assessment

For more than 30 years, GE Panametrics flow meters have proven to be the most reliable solution in flare gas flow measurement. When New Source Performance Standards for petroleum refineries (subpart Ja) was passed, GE supported refiners with compliance engineering studies, flare flow meters, and on-site verifications to ensure compliance. GE possesses the scope, scale, and knowledge in flare flow metering needed to understand the requirements of MACT RSR 63.670. Our flare system site assessment includes:

- Complete consultative review of refinery flare system
- Performance verification for all of GE Panametrics flow meters related to the flare system
- Assessment of flow meter and analyzer assets relative to MACT RSR 63.670 including:
  - Capability of flare, steam, air, and supplemental/make-up gas flow meters
  - Pipe size and layout, including possible computational flow dynamics calculations to ensure meters are installed for optimum performance
  - Associated regulatory measurement equipment, including BTU measurement, pressure/temperature sensors, and flare pilot verification
- Comprehensive report outlining the changes required to become compliant with RSR63.670, including sizing calculations and meter and analyzer recommendations
- Cross-functional technical review discussion of report

## Ordering information

**Part Number:** FLARE-SYSTEM ASSESSMENT

**Description:** Flare system site assessment for MACT RSR 63.670 compliance

**Deliverables:**

- Summary report of requirements for MACT RSR 63.670 compliance
- Sizing tools for flare flow compliance
- Recommended configuration and location of flow meters and equipment

