

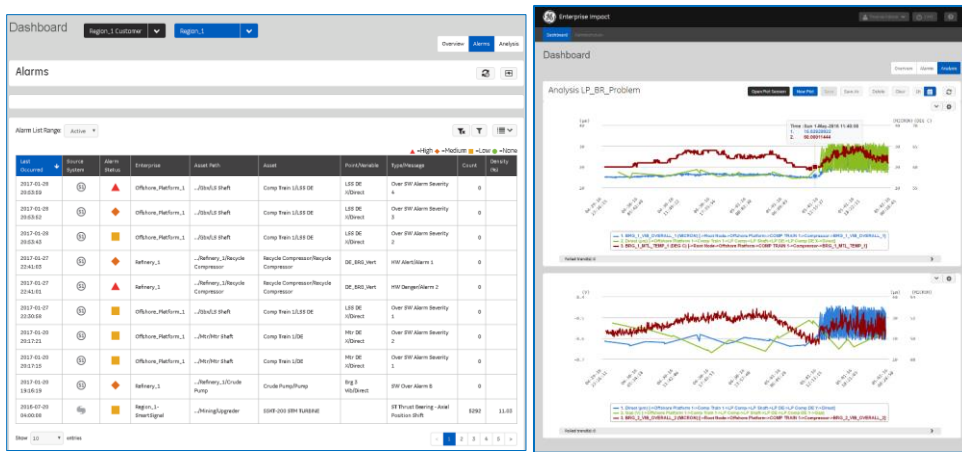


Enterprise Impact v18.2

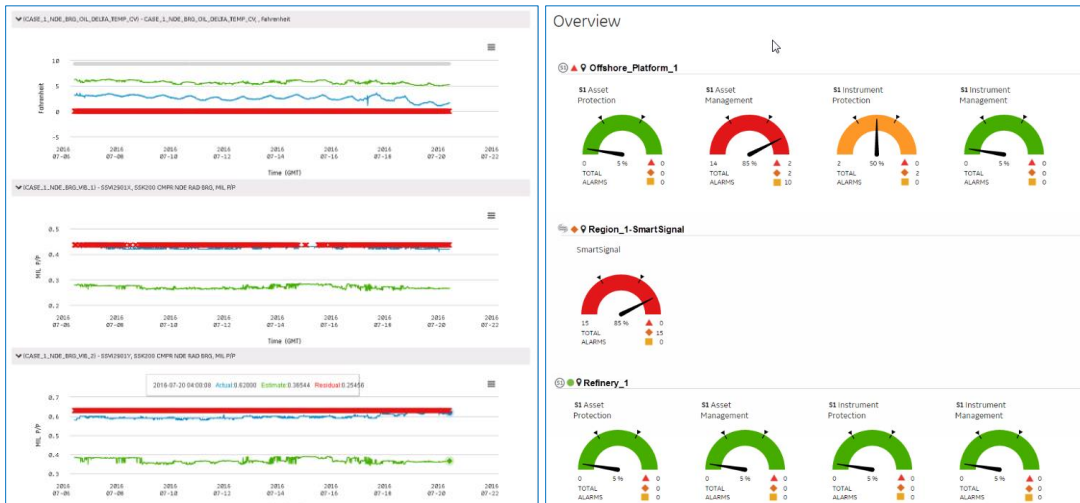
Product Datasheet

Enterprise Impact delivers improved access to your machinery data and health using an intuitive web-based application that provides fleet awareness and first line diagnostic analysis. You can view enterprise health and alerts and analyze data from equipment monitored by Bently Nevada's System 1* condition monitoring platform and GE Digital's SmartSignal predictive analytic platform.

Enterprise Impact supports connecting machinery health data collected from System 1* and SmartSignal to contemporary Asset Performance Management solutions. You can send health information to GE Digital's Meridium & Unified APM based software solutions, whether on-premise or hosted in the cloud, for broader access to the machinery data and fleet analytical offerings.



Web Based Alarm List and Comparative Analysis



Web Based Predictive Alerts and Health Gauges



Package Ordering

3081/01 Enterprise Impact Software

3081/01-AA-BB-CC-CC-DD-EE

AA: Fleet Aggregation & Visualization

00 – Not Included

01 – Included

BB: Destination Proxy Service

00 – Not Included

01 – Predix APM (Hosted)

02 – Meridium APM (On-Premise)

03 – Unified APM (Hosted)

CC: Source quantity – System 1 Servers (DAQs) v6.89, 6.90, 6.91, 6.93, 6.94, 6.95

– Numeric Entry [0→??]

DD: Source quantity – System 1 Servers (DAQs) v17.1+

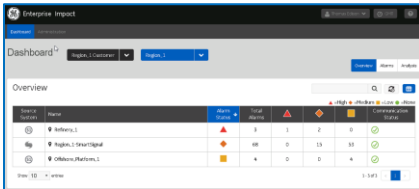
– Numeric Entry [0→??]

EE: Source quantity – SmartSignal Assets v6.0, 6.2, 6.3

– Numeric Entry [0→??]

Language Packs: We offer Enterprise Impact in English. Contact technical support for additional languages.

AA Option Explanation



This option provides the ability to include Bently Nevada’s web-based fleet aggregation and first line analysis application. The application provides the capability to understand the health of machinery monitored by System 1* and SmartSignal applications at an enterprise level.

BB Option Explanation

This option provides the ability to include data export from System 1*, SmartSignal or both to external destinations:

Not Included

Data export is not enabled.

Predix APM (Hosted)

GE Digital’s Predix IIoT platform-based Asset Performance Management solution

Meridium APM (On-Premise)

GE Digital’s Legacy Meridium onsite Asset Performance Management solution

Unified APM (Hosted)

GE Digital’s upcoming Unified Meridium & Predix APM Platform

CC Option Explanation



Enter the quantity of System 1 v6.89, 6.90, 6.91, 6.93, 6.94, 6.95 (Classic) servers (DAQs) that are being connected to for fleet aggregation, data proxy service or both.

DD Option Explanation



Enter the quantity of System 1* v17.1+ (Evolution) servers (DAQs) that are being connected to for fleet aggregation & data proxy servers, or both.

EE Option Explanation

Enter the quantity of SmartSignal v6.0, 6.2, 6.3 assets that are being connected to for fleet aggregation & data proxy servers, or both.

Maintenance & Support Ordering

3081/20 SW Maintenance and Support

3081/20-AA-BB-CC-DD-EE-FF-GG

AA: SW M&S Level

- 01 – Basic Support
- 02 – Essential Support
- 03 – Premier Support

BB: SW M&S Term

- Numeric Entry [0→20]

CC: SW M&S Products

- 01 – Enterprise Impact Software

DD: Total License Price

Numeric Entry [USD]

DD: Customer CAN#

Text Entry

EE: Contact Name

- First Name
- Last Name

FF: Contact Email Address

Text Entry

GG: EI SW M&S Option

- 01 - New
- 02 - Renewal
- 03 - Expansion



Enterprise Impact System Specifications

BHGE Hosted solutions are more economical and more easily expanded. We also offer Customer Hosted solutions.

Data Communications & Visualization module

Enterprise Impact webserver is composed of three major components: the core, the database, and the user interface. You can install these components on the same server or on separate servers, depending on the size of the data sources. One physical server is adequate for up to 50 connected assets or up to 500 points. For 50 or more machine assets (or more than 500 points) or if Enterprise Impact is hosted in the cloud, three physical servers are required. Physical or virtual servers required for Enterprise Impact provide desired performance for up to the maximum number of 70 data sources. The number of concurrent users also impacts the performance of the system. These specifications have been tested with 25 concurrent users. If you exceed the number of data sources or concurrent users, system performance may be impacted.

64-bit Server or Virtual Machine (VM):

- 2.4 GHz Quad Core™ 12 MB+ Cache Processor
- 24 GB Memory or above
- 500 GB hard disk drive
 - Network drives not supported
- 1 Server or VM required up to 50 machine assets
- 3 servers or VMs required above 50 machines assets
- 3 VMs required when hosted in the cloud

Operating Systems:

- Microsoft® Windows® 2008 Server® R2 SP1 Std. Edition 64-bit
- Microsoft Windows 2012 Server® R2 Std. Edition 64-bit
- Microsoft Windows 2016 Server® Standard Edition

Software Prerequisites:

- Microsoft Excel® 2013 or 2016 (32-bit)
- PostgreSQL™ 9.4.12
- Erlang™ 20.3
- RabbitMQ™ 3.7.2
- Java JRE 8u191
- .NET™ 4.5.2+
- Tomcat™ 9.0.12
- Redis™ 3.0.504

Security:

- Transport Layer Security (TLS) Certificates

Web Browser:

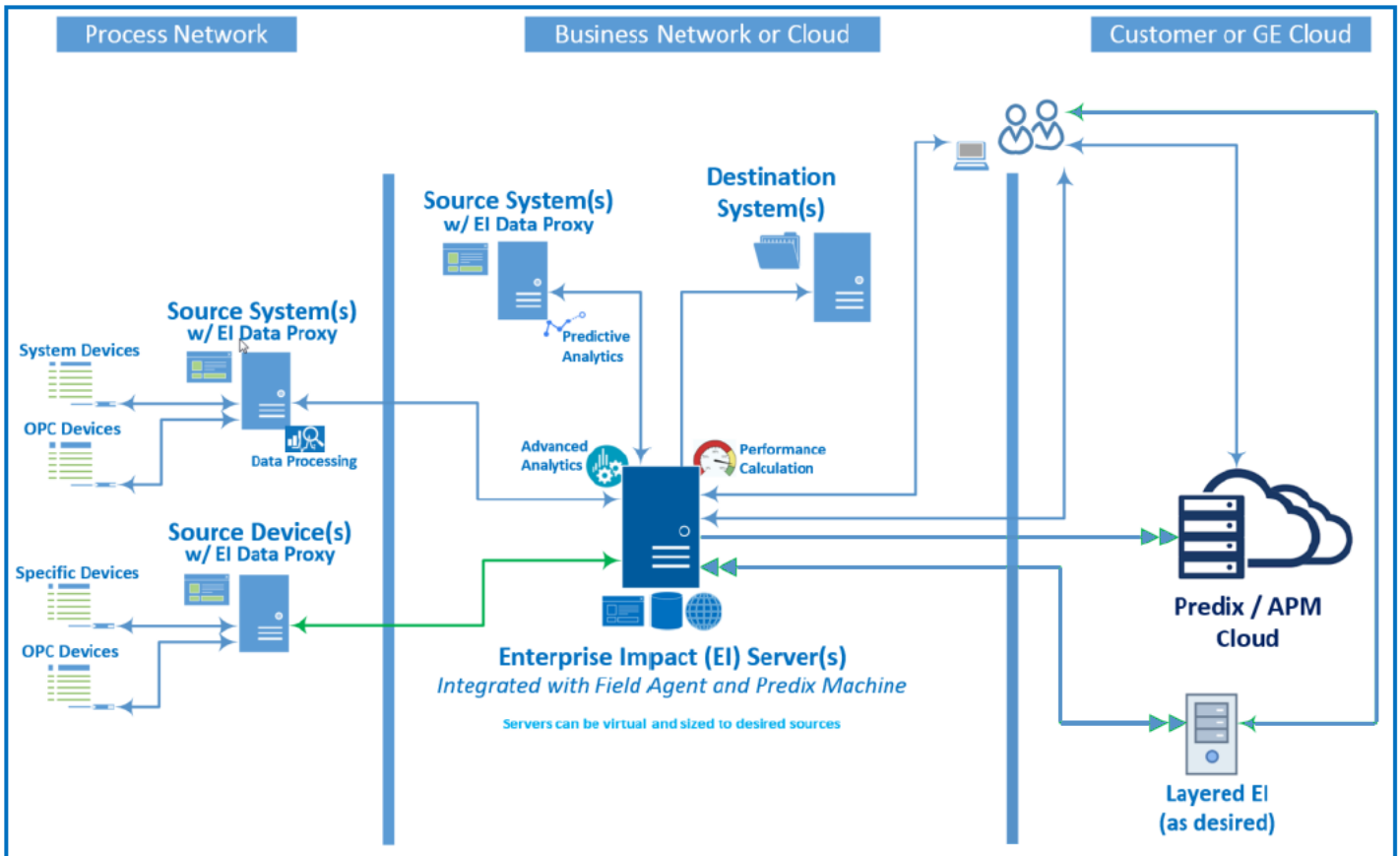
- Internet Explorer® version 11
- Google Chrome® version 62+
 - Only Chrome supported for EI MicroApp
- Mozilla Firefox® Quantum

Source and Destination Systems:

- System 1 17.1, 17.2, 18.1, 18.2
- System 1 6.89, 6.90 SP 3, 6.94, 6.95
- SmartSignal 6.0, 6.2, 6.3
- Meridium 4.3.0
 - Only S1 Classic and SmartSignal are supported to this destination

Default Ports:

Services / Protocols	Port Number
AMQP(S) Protocol	5672, 5671
OAuth2 Protocol	9999 (Configurable)
Services	9443 (https) (Configurable)



Typical Network Diagram

© 2014-2018 Baker Hughes, a GE company, LLC (“BHGE”)

All rights reserved.

* Denotes a trademark of Bentley Nevada, LLC, a wholly owned subsidiary of Baker Hughes, a GE company.

All product and company names are trademarks of their respective holders.

Use of the trademarks does not imply any affiliation with or endorsement by the respective owners.

The information contained in this document is subject to change without prior notice.

1631 Bently Parkway South, Minden, Nevada USA 89423

Phone: 775.782.3611

www.GEmeasurement.com